

## **Husqvarna TS350E**

Pièces de rechange

Spare parts

Ersatzteile

Piezas de repuesto

Ricambi

Onderdelen

Reservdelar

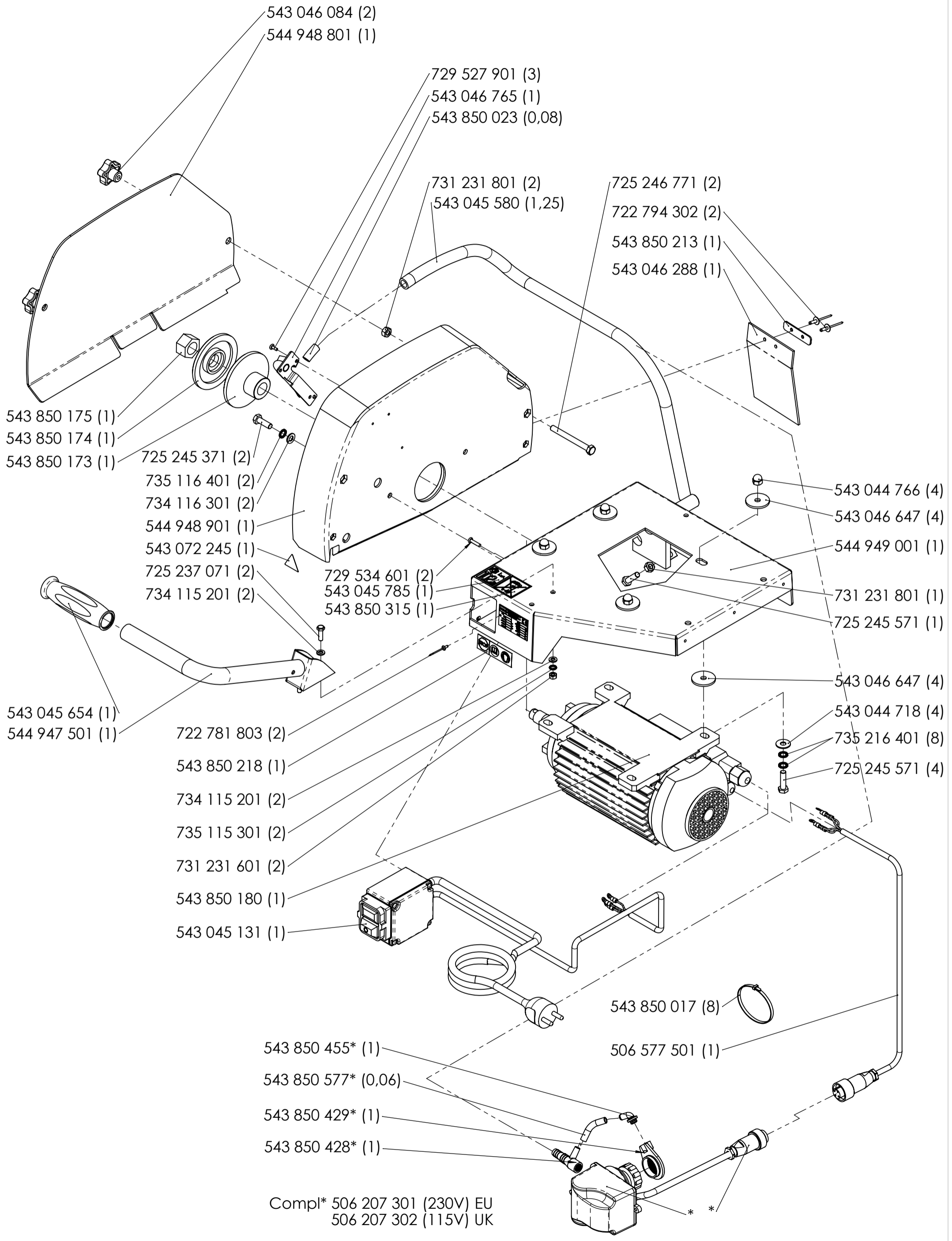
Peças sobresselentes



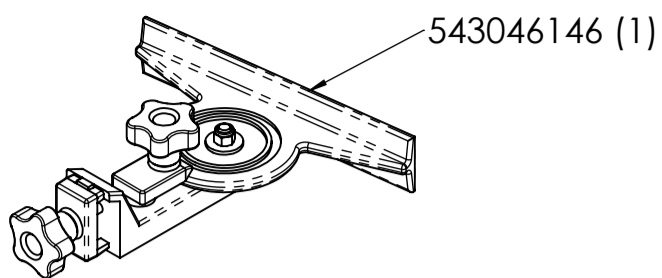
No.	Pos.	Description	No.	Pos.	Description
115 030 320	C	IPL, TS350E, 8 languages	543 850 203	A	Feet pad
115 030 420	C	OM, TS350E, 8 languages	543 850 213	B	Mudflap reinforcement
504 854 101	D	Support switch 115V	543 850 218	B	Sticker, "combined stop,ear manual"
506 207 301	B	Water pump 230V, compl	543 850 283	D	Motor 1,5 kW 115V
506 207 302	B	Water pump 115 UK, compl	543 850 315	B	Sticker, WEE
506 577 501	B-D	Cable & connector	543 850 331	A	WASHER 30X9X1,8 PVC
543 040 217	A	WASHER M20	543 850 428	B	Bypass tee : pump 25W
543 040 323	C	TABLE BLOCK	543 850 429	B	Filter with tube end
543 042 961	A	Axle, motor arm	543 850 455	B	Adaptator for filter
543 043 334	A	CAPESTAN, axle	543 850 577	B	Hose 6x9
543 044 718	B	WASHER,20 (40x21x3)	544 947 501	B	SUPPORT, SHAFT
543 044 736	A	SPRING WASHER 40x20,4x1,5	544 948 301	C	Table
543 044 766	A-B	Nut, M8x125,Ballhead	544 948 601	C	Material stop, table
543 045 131	B	SWITCH KEDU 230V	544 948 701	C	Pivoting stop, TS300E
543 045 136	D	Plug 400V Male	544 948 801	B	BLADE GUARD, COVER
543 045 145	D	Plug female 3P+N+T 16A 6H	544 948 901	B	BLADE GUARD, FIXED
543 045 146	D	Plug 110V Male	544 949 001	B	MOTOR ASSY,SUPPORT
543 045 580	B	Hose 12x18	544 949 101	A	TANK ASSY
543 045 654	B	HANDLE ANTIVIBRATION 25	544 949 201	A	ARM
543 045 738	A	Sticker, Using of pump	544 949 301	A	LEGS, FRONT SQUARE TUBE
543 045 785	B	Sticker, Noise 102 dB	544 949 401	A	LEGS, REAR SQUARE TUBE
543 045 900	C	Wrench 30 DIN 894	722 781 803	A-B	Rivet, 3,2x6,7 alu
543 045 932	A	ROLLER 80/25	722 794 302	A-B	ALU RIVET 4x10,3 Large head
543 046 039	A	CAP,RECT 80x50x22	725 232 771	D	Screw, M5x10 hex FT
543 046 051	A	Plug, rubber 34D 28/34/30	725 237 071	B	Screw, M6x20 hex FT
543 046 058	A	CAPS 12/18, capistan	725 245 171	A-D	Screw, M8x20 hex FT
543 046 084	B	Nut, wing M8 female	725 245 371	B-C	Screw, M8x25 hex FT
543 046 146	C	ANGULAR GUIDE,ALUMINIUM COUPE	725 245 571	B-C	Screw, M8x30 hex FT
543 046 161	A	SPRING 12x10x125	725 245 771	C	Screw, M8x35 hex FT
543 046 205	A	SPRING, legs - tank	725 245 971	A	Screw, M8x40 hex FT
543 046 280	C	Rubber carpet, front	725 246 771	B	Screw, M8x80 hex FT
543 046 281	C	Rubber carpet, rear	725 250 551	A	Screw, M10x70 hex PT
543 046 288	B	MUD FLAT, REAR (small)	725 254 551	A	Screw, M12x65 hex PT
543 046 300	C	ROLLER OF TABLE	725 537 901	A	Screw, Inhex M6X45
543 046 576	A	CAPESTAN HUB	725 544 501	A	Screw, Inhex M8X10
543 046 647	A-B	WASHER 8.5X35.8X 3	725 546 201	A	Screw, inhex, M8x55
543 046 765	B	Fork, (WATERING DEVICE)	727 645 551	A	Screw, SPHERE HEAD M8X30
543 069 974	D	tightenning sheet	729 527 901	B-D	Screw, ST3.5x9.5 round PH
543 069 978	A	Rail, water tank	729 534 601	A-B	Screw, ST4.2x19 round PH
543 071 264	C	Sticker, 45° position	731 231 601	A -B	Nut, M6
543 071 265	A	Sticker, Legs folding	731 231 801	A -B-C	Nut, M8
543 072 245	B	Sticker, "Risk of cut"	731 432 201	A	Nut, M12,thin
543 075 214	A	GAS SPRING	732 251 801	A-C	Nut, nyloc M8
543 075 577	D	SWITCH 115V-25A	732 252 001	A	LOCKNUT M10
543 850 004	C	Ruler, left	732 252 201	A	LOCKNUT M12
543 850 005	C	Ruler, middle	734 115 201	B	WASHER M6
543 850 006	C	Ruler, right	734 116 301	A -B-C	WASHER M8
543 850 017	B-D	Nylon tie 5x250	734 117 201	A	WASHER M10
543 850 023	B	Hose 12x8	735 115 301	B	Washer, lock 6
543 850 025	A	WASHER 36,5x21x2)	735 116 401	B	Washer, lock 8
543 850 031	A	Sticker Ø300/350 position	735 216 401	B-C	Washer ext, lock 8
543 850 043	A	Washer, 20 external lock			
543 850 045	D	SWITCH KEDU 400V			
543 850 158	A	Chain			
543 850 173	B	Flange, inner			
543 850 174	B	Modified flange			
543 850 175	B	Special nut			
543 850 180	B	Motor 2,2 kW 230V			
543 850 181	A	Handle, aluminium M8X30			
543 850 183	D	Motor 3 kW, 400V			



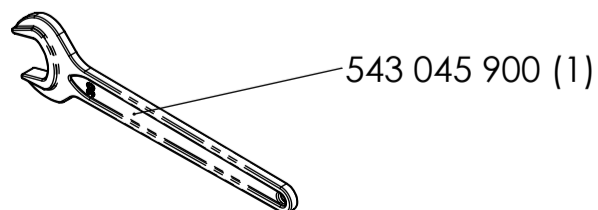
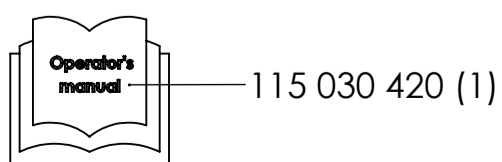
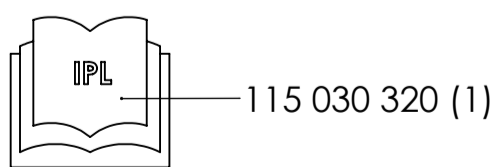
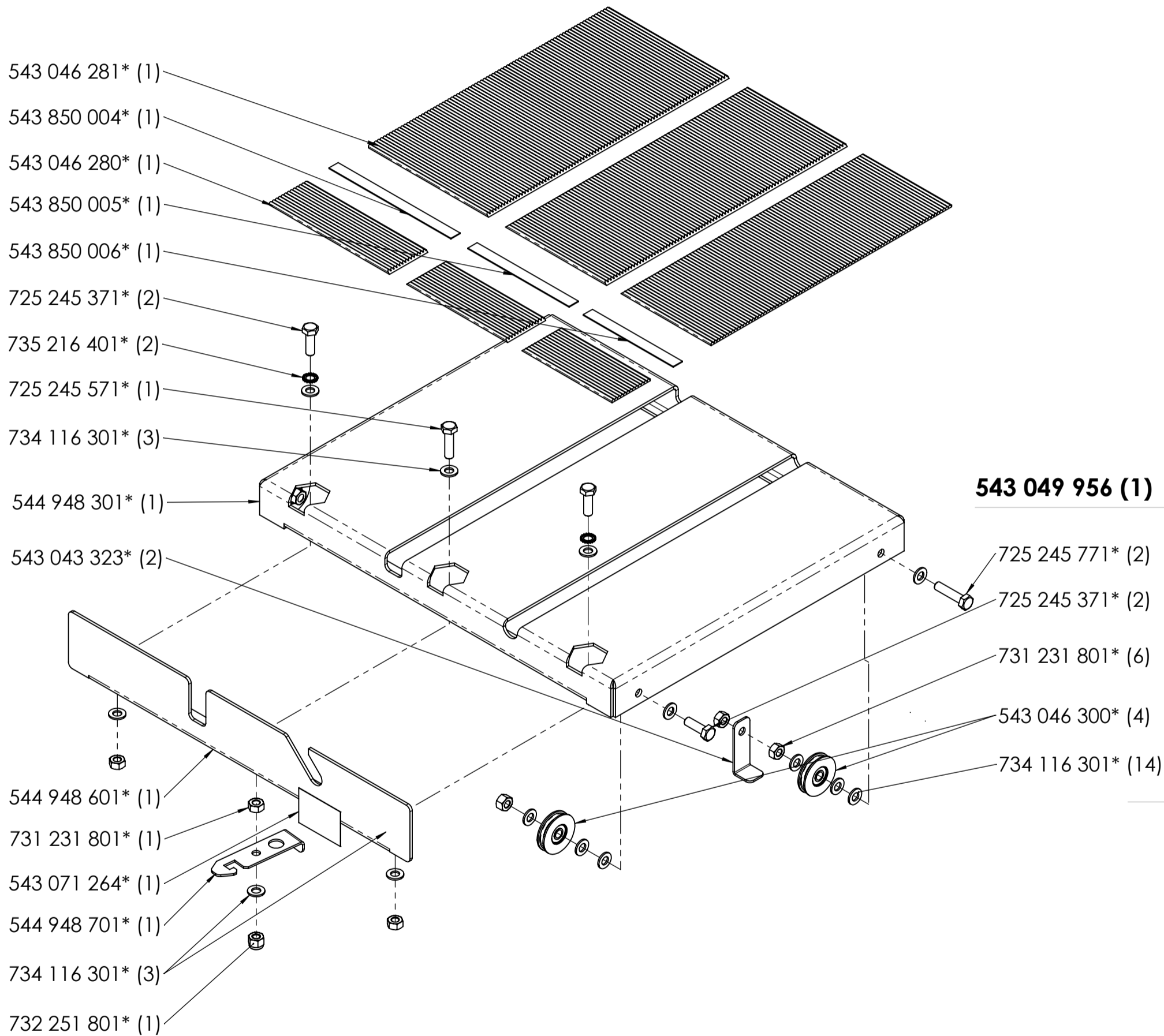
# B-230V



C

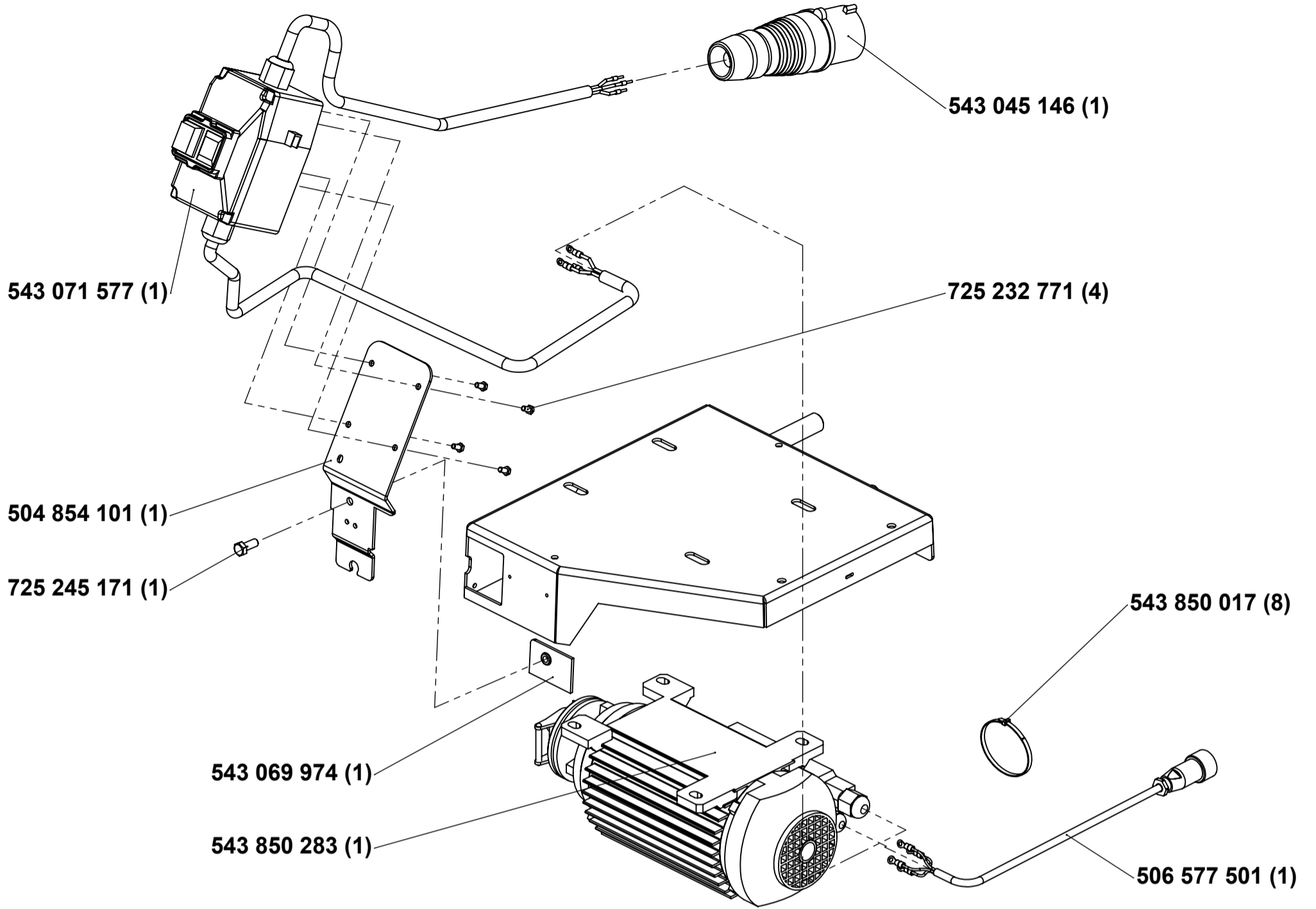


**compl\* 544 948 501(1)**

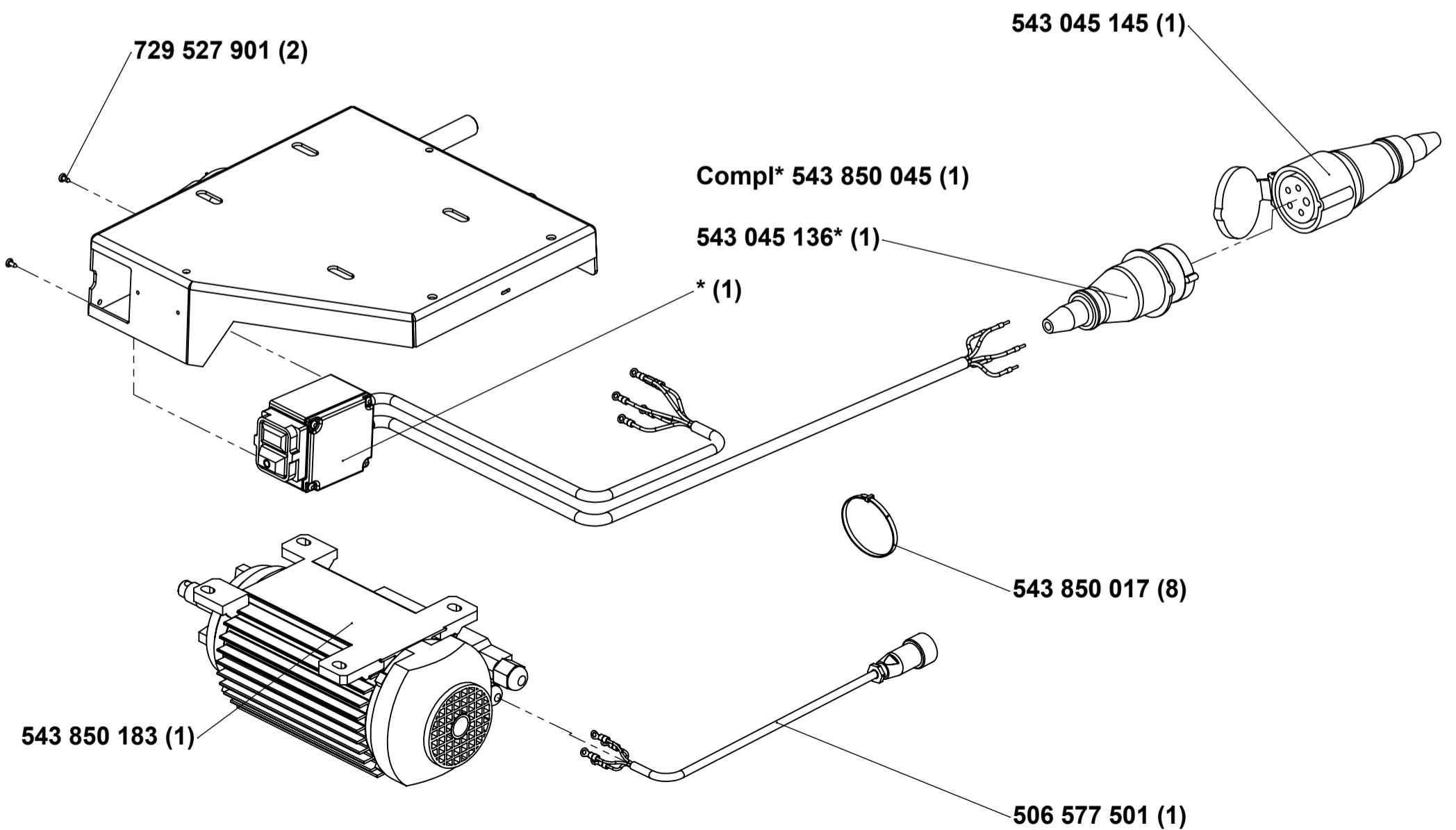


**D**

**110 V (UK)**



**400 V (3 Phases)**





[www.husqvarnacp.com](http://www.husqvarnacp.com)